



Infuse water into the center of the windrow while turning.



The hydraulically extendable maintenance platforms make for fast and easy maintenance.



Large diameter turning drum engineered specifically to create the perfect windrow shape.

TURNING

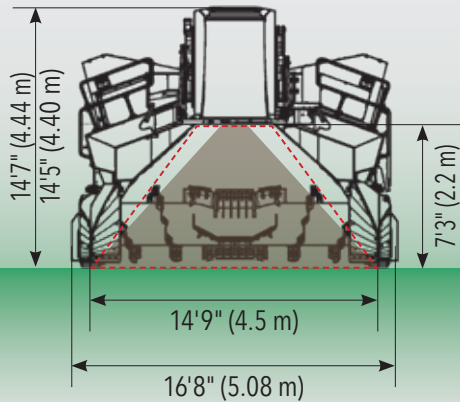
COMPOST WINDROW TURNERS

The Topturn X Series windrow turners can efficiently create the optimum windrow shape to allow for the best porosity, reducing odors and composting times. Maximize the amount of material that can be composted in a minimum amount of space by overlapping the windrows.



Scan this code
to watch our
turners in action!

TOPTURN X4500



TOPTURN X4500

The Topturn X4500 is a robust windrow turner perfect for small and medium-sized composting operations.

Power

Diesel Engine / Horsepower: CAT® C7.1 Tier 4 Final / 275 HP

Proportion *(dependent on equipment)*

Transport Dimensions: Wheel - 16'2" x 9'10" x 10'11" (4.9 x 2.9 x 3.3 m)
Track - 16'2" x 8'4" x 10'10" (4.9 x 2.5 x 3.2 m)

Weight: ~ 32,000 lbs (Wheel) / ~ 33,000 lbs (Track)

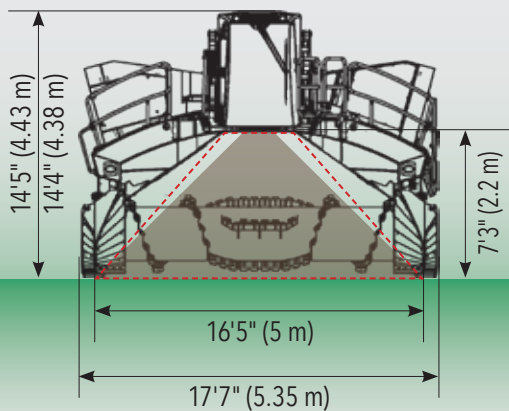
Performance *(dependent on material)*

Maximum Windrow Width: 14'9" (4.5 m)

Maximum Windrow Height: 7'3" (2.2 m)

Maximum Throughput: up to 3,900 yd³/hr (3,000 m³/hr)

TOPTURN X5000



TOPTURN X5000

The Topturn X5000 delivers consistent performance and optimal windrow pile sizing for any composting operation.

Power

Diesel Engine / Horsepower: CAT® C9 Tier 4 Final / 330 HP

Proportion *(dependent on equipment)*

Transport Dimensions: Wheel - 17'1" x 9'10" x 10'9" (5.4 x 2.9 x 3.2 m)
Track - 17'1" x 8'4" x 10'8" (5.4 x 2.5 x 3.2 m)

Weight: ~ 35,000 lbs (Wheel) / ~ 36,000 lbs (Track)

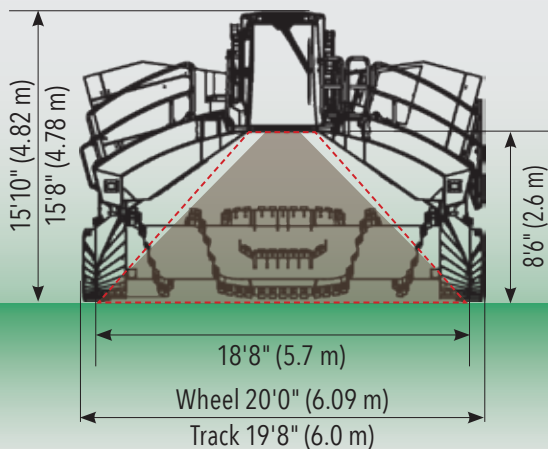
Performance *(dependent on material)*

Maximum Windrow Width: 16'5" (5 m)

Maximum Windrow Height: 7'3" (2.2 m)

Maximum Throughput: up to 5,200 yd³/hr (4,000 m³/hr)

TOPTURN X63



TOPTURN X63

The Topturn X63 is a windrow turner designed to handle sites with higher throughput demands.

Power

Diesel Engine / Horsepower: CAT® C13 Tier 4 Final/ 390 HP

Proportion *(dependent on equipment)*

Transport Dimensions: Wheel - 20'2" x 9'10" x 11'11" (6.1 x 2.9 x 3.6 m)
20'2" x 8'4" x 11'10" (6.1 x 2.5 x 3.6 m)

Weight: ~ 40,000 lbs (Wheel) / ~ 41,000 lbs (Track)

Performance *(dependent on material)*

Maximum Windrow Width: 18'8" (5.7 m)

Maximum Windrow Height: 8'6" (2.6 m)

Maximum Throughput: up to 5,800 yd³/hr (4,500 m³/hr)